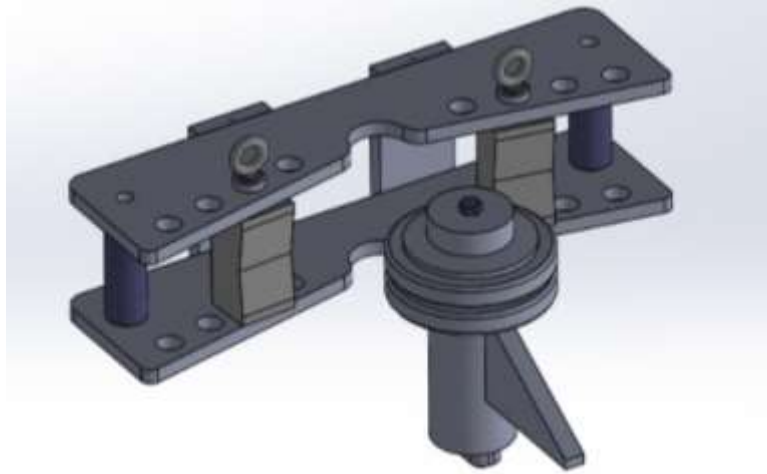
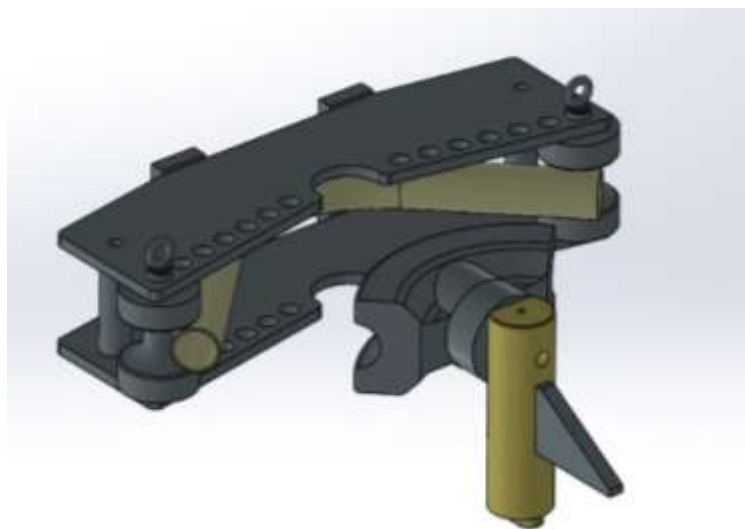


## FLAT BAR BENDING TOOL



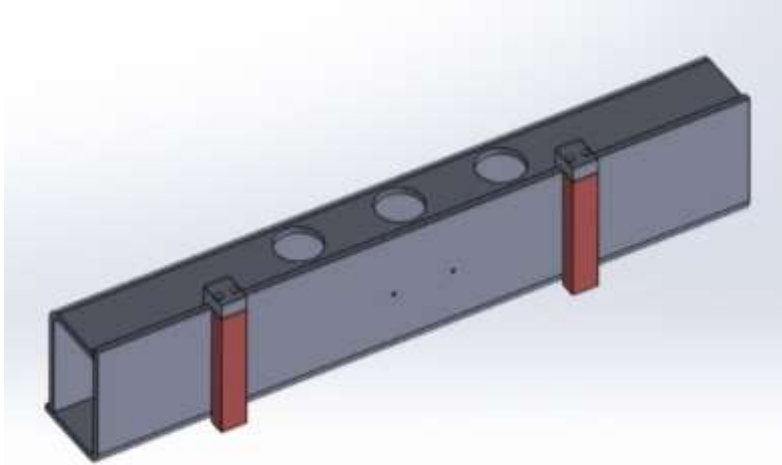
MODEL	HBM 10	HBM 20	HBM 30	HBM 40	HBM 50	HBM 80	HBM 100
Net Price	£710.00	£710.00	£780.00	£780.00	£780.00	£870.00	£870.00

## PIPE BENDING TOOL



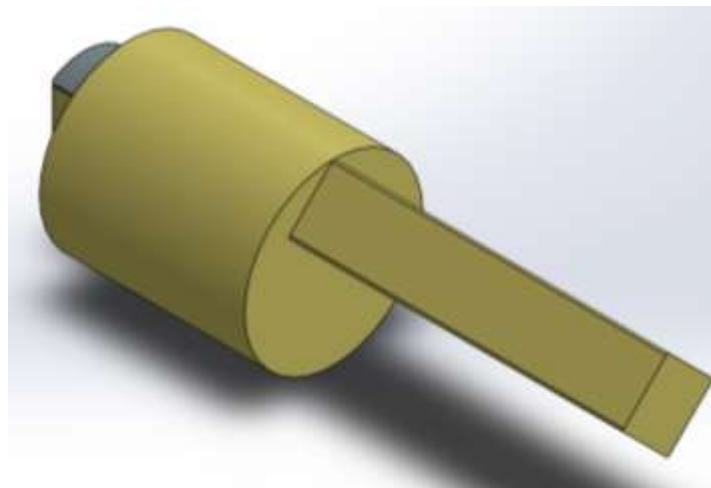
MODEL	HBM 10	HBM 20	HBM 30	HBM 40	HBM 50	HBM 80	HBM 100
Net Price	£650.00	£660.00	£740.00	£740.00	£870.00	£940.00	£940

## STRAIGHTENING TOOL



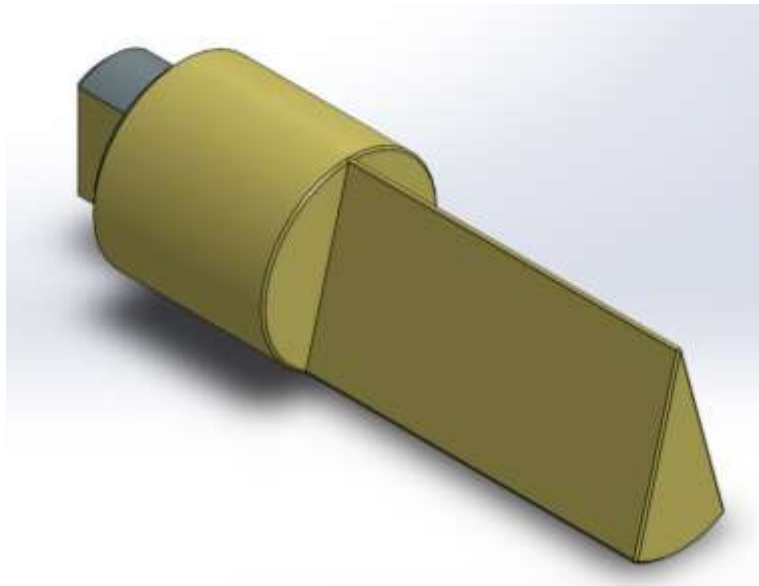
MODEL	HBM 10	HBM 20	HBM 30	HBM 40	HBM 50	HBM 80	HBM 100
Net Price	£505.00	£505.00	£580.00	£580.00	£650.00	£725.00	£725.00

## BOLT PUNCH



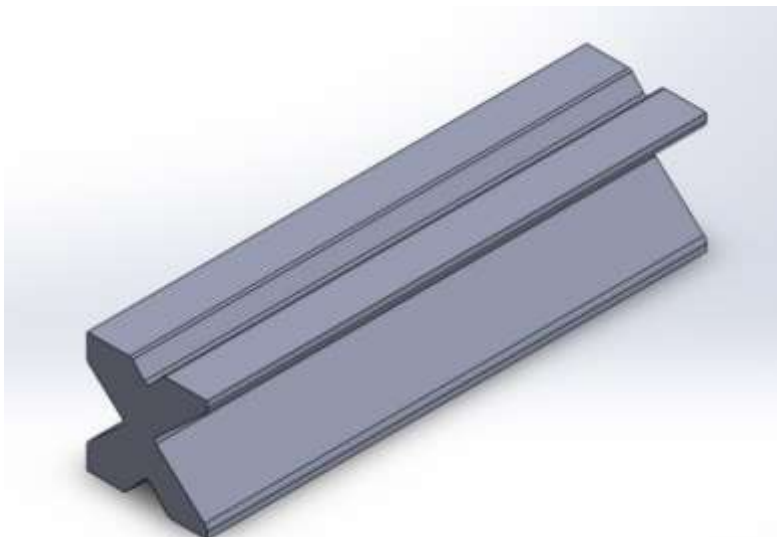
MODEL	HBM 10	HBM 20	HBM 30	HBM 40	HBM 50	HBM 80	HBM 100
Net Price	£190.00	£210.00	£230.00	£230.00	£350.00	£380.00	£380.00

## 30 DEGREE BOLT PUNCH



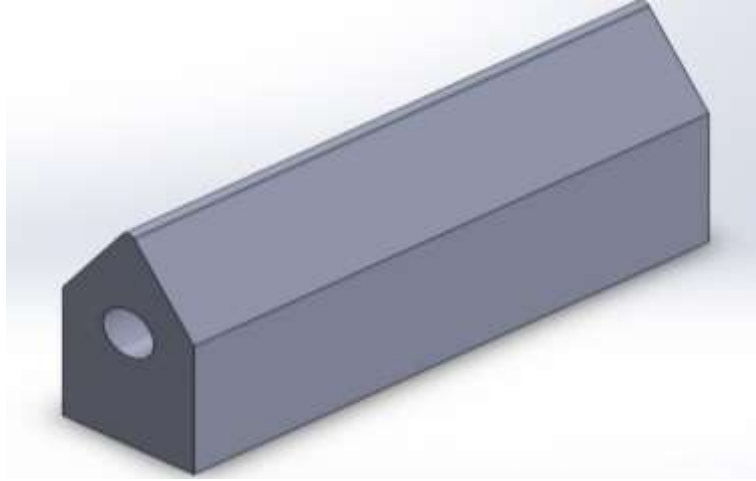
MODEL	HBM 10	HBM 20	HBM 30	HBM 40	HBM 50	HBM 80	HBM 100
Net Price	£190.00	£210.00	£230.00	£230.00	£350.00	£380.00	£380.00

## MULTI VEE DIE



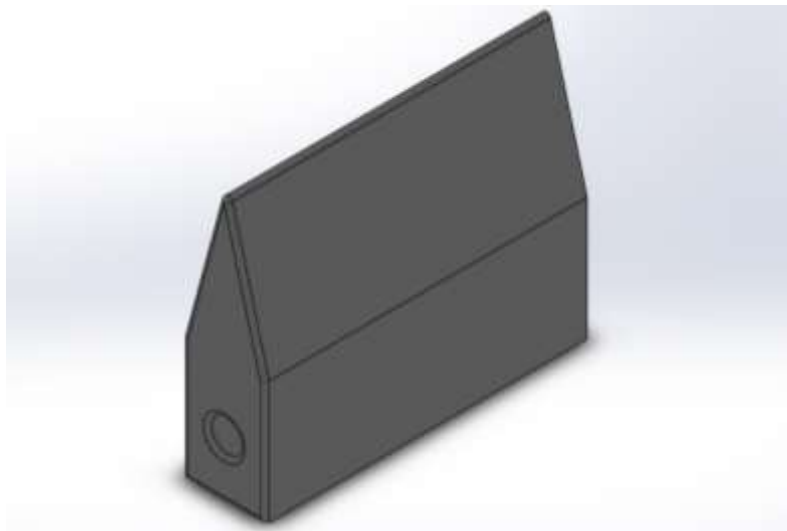
MODEL	HBM 10	HBM 20	HBM 30	HBM 40	HBM 50	HBM 80	HBM 100
Net Price	£260.00	£330.00	£465.00	£465.00	£520.00	£580.00	£580.00

## RADIUS 1-5-10 PUNCHES



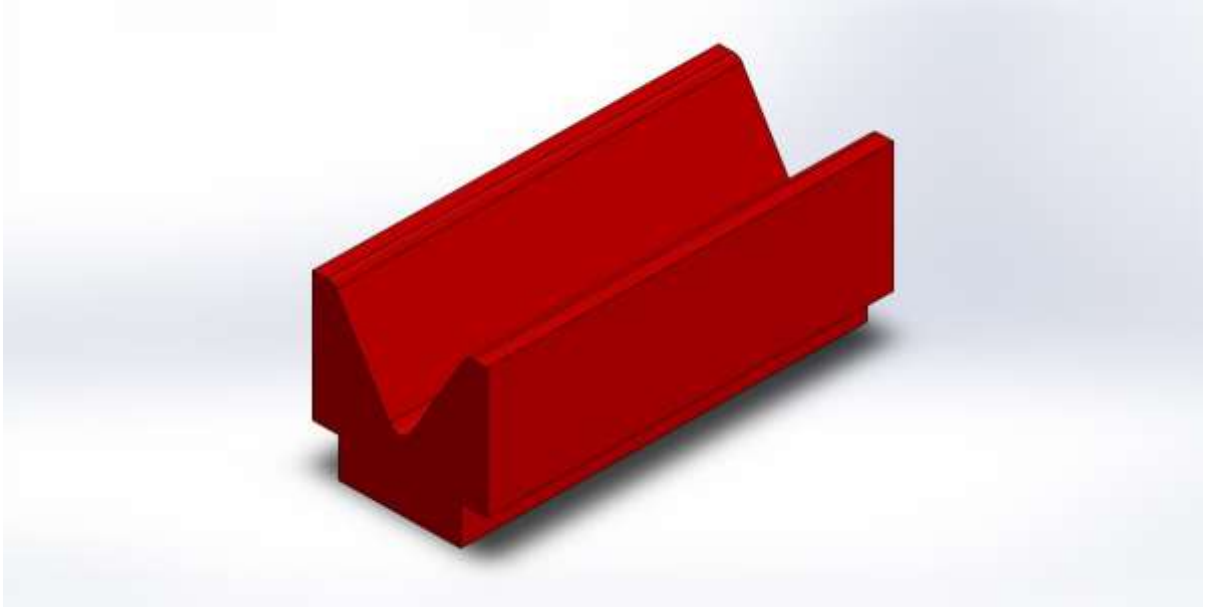
MODEL	HBM 10	HBM 20	HBM 30	HBM 40	HBM 50	HBM 80	HBM 100
Net Price	£110.00	£120.00	£140.00	£140.00	£140.00	£160.00	£160.00

## RADIUS 1-5-10 PUNCHES



MODEL	HBM 10	HBM 20	HBM 30	HBM 40	HBM 50	HBM 80	HBM 100
Net Price	£175.00	£210.00	£260.00	£260.00	£335.00	£335.00	£335.00

## V – DIES



MODEL	HBM 10	HBM 20	HBM 30	HBM 40	HBM 50	HBM 80	HBM 100
V50	£160.00	£190.00	£220.00	£220.00	£290.00	£290.00	£290.00
V63	£160.00	£220.00	£290.00	£290.00	£350.00	£350.00	£350.00
V80	£190.00	£290.00	£350.00	£350.00	£420.00	£420.00	£420.00
V100	£220.00	£350.00	£420.00	£420.00	£510.00	£510.00	£510.00
V125	£260.00	£420.00	£510.00	£510.00	EUR 400	£580.00	£580.00
V160	£510.00	£510.00	£580.00	£580.00	£580.00	£650.00	£650.00