

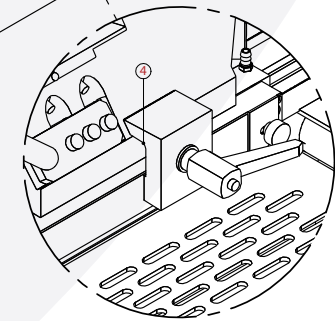
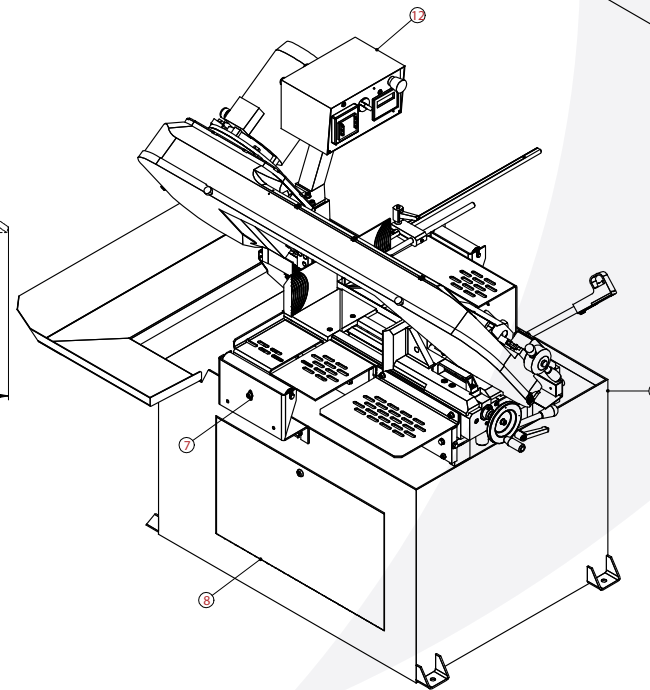
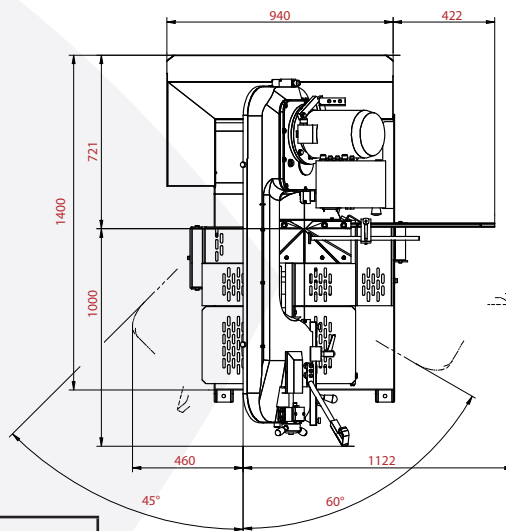
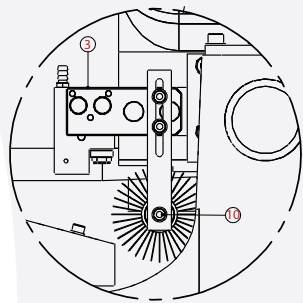
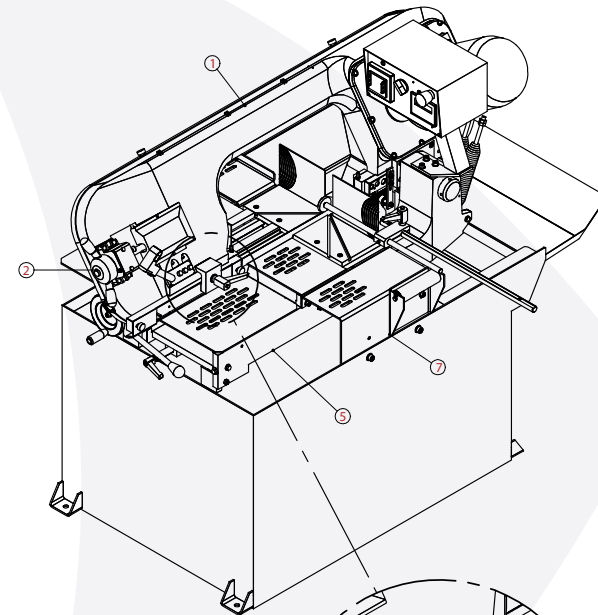
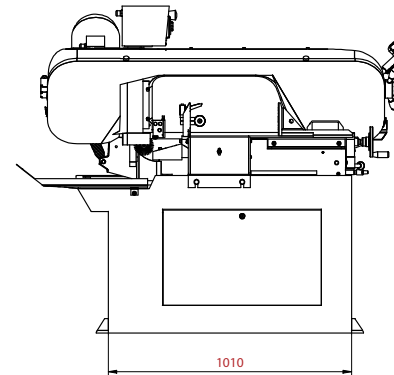
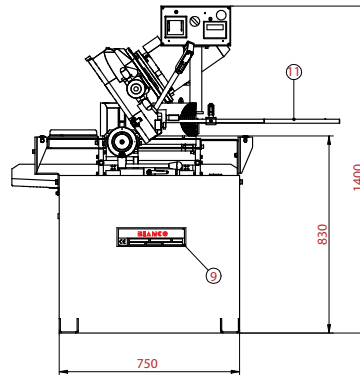
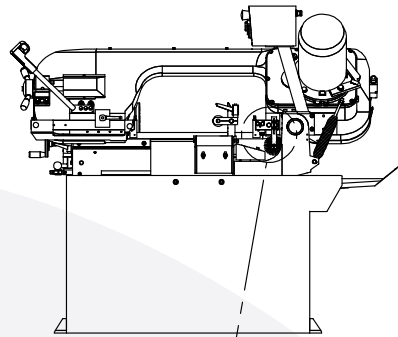
1	Bow Assembly
2	Blade Tension Slide Assembly
3	Fixed Blade Guide
4	Moveable Blade Guide
5	Vice
6	Base Assembly
7	Input and Output Rollers
8	Coolant Storage
9	Serial Number Plate
10	Swarf Brush
11	Material Length Stop
12	Controller

Bianco 330
DS MS Floorplan

BIANCO

SELMACH
MACHINERY

Making Metal Work



1	Bow Assembly
2	Blade Tension Slide Assembly
3	Fixed Blade Guide
4	Moveable Blade Guide
5	Vice
6	Base Assembly
7	Input and Output Rollers
8	Coolant Storage
9	Serial Number Plate
10	Swarf Brush
11	Material Length Stop
12	Controller

Bianco 420
DS MS Floorplan

BIANCO

SELMACH
 MACHINERY

Making Metal Work