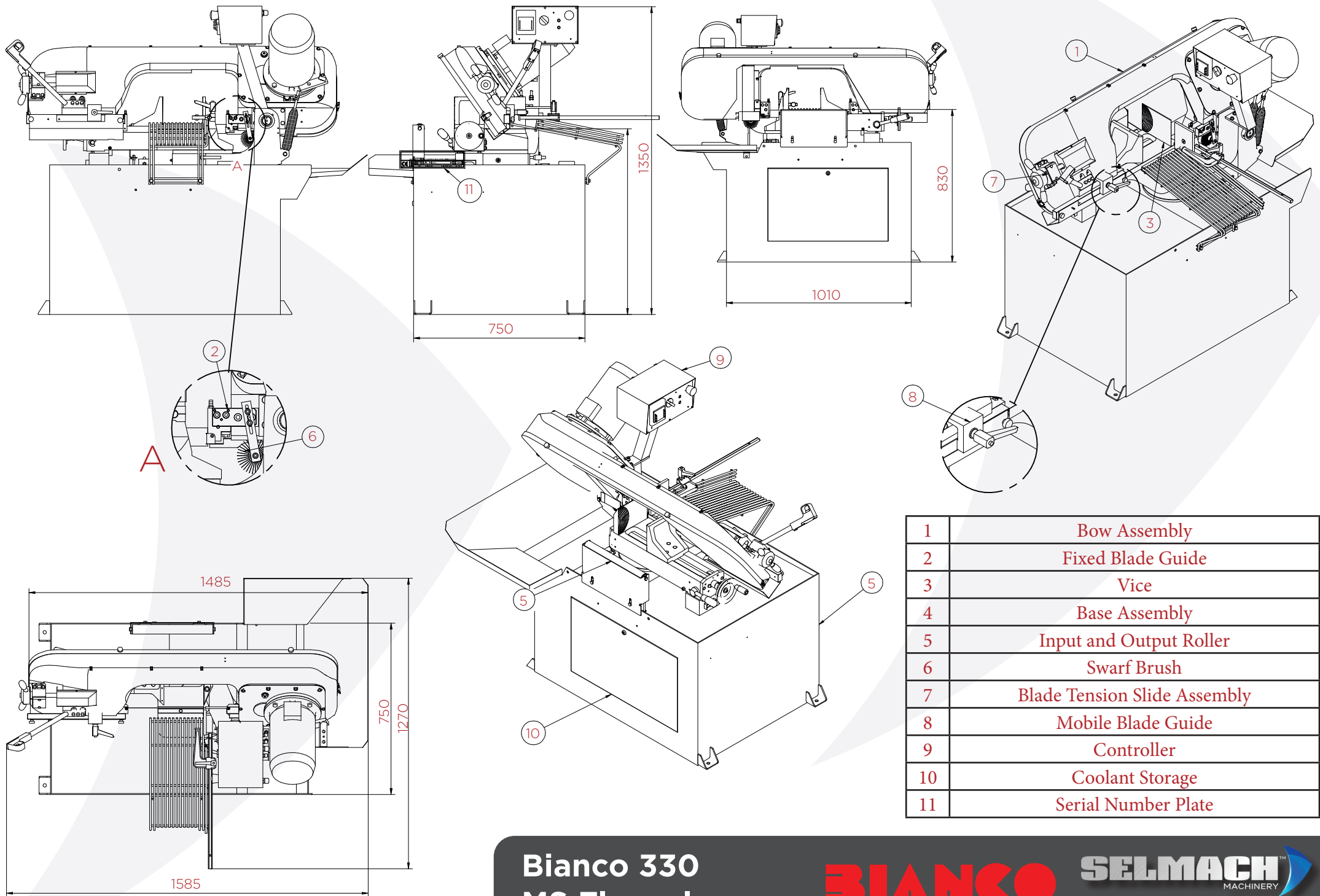


**Bianco 280
MS Floorplan**



Making Metal Work



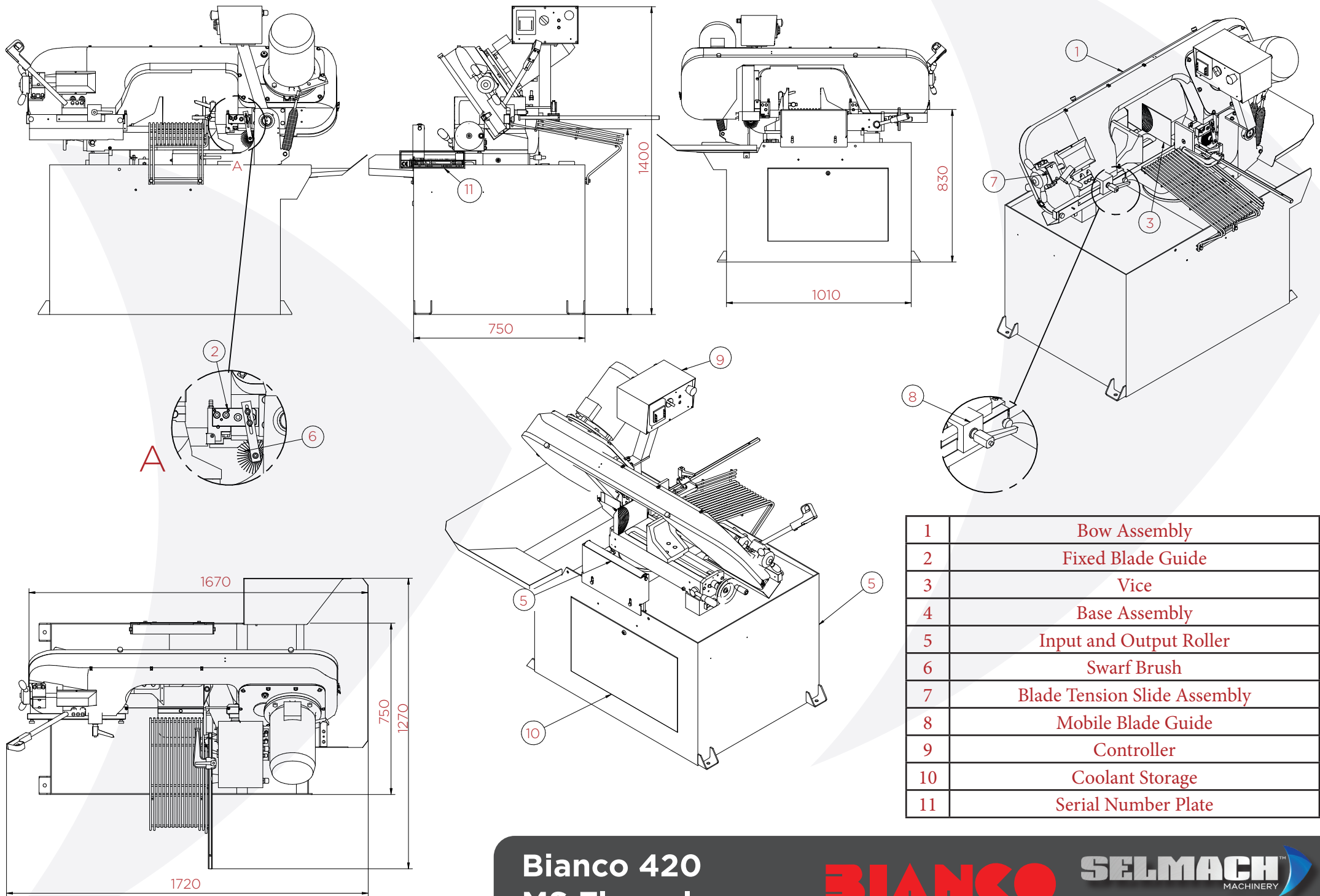
1	Bow Assembly
2	Fixed Blade Guide
3	Vice
4	Base Assembly
5	Input and Output Roller
6	Swarf Brush
7	Blade Tension Slide Assembly
8	Mobile Blade Guide
9	Controller
10	Coolant Storage
11	Serial Number Plate

Bianco 330 MS Floorplan

BIANCO

SELMACH
MACHINERY

Making Metal Work



1	Bow Assembly
2	Fixed Blade Guide
3	Vice
4	Base Assembly
5	Input and Output Roller
6	Swarf Brush
7	Blade Tension Slide Assembly
8	Mobile Blade Guide
9	Controller
10	Coolant Storage
11	Serial Number Plate

Bianco 420 MS Floorplan

BIANCO

SELMACH
MACHINERY

Making Metal Work