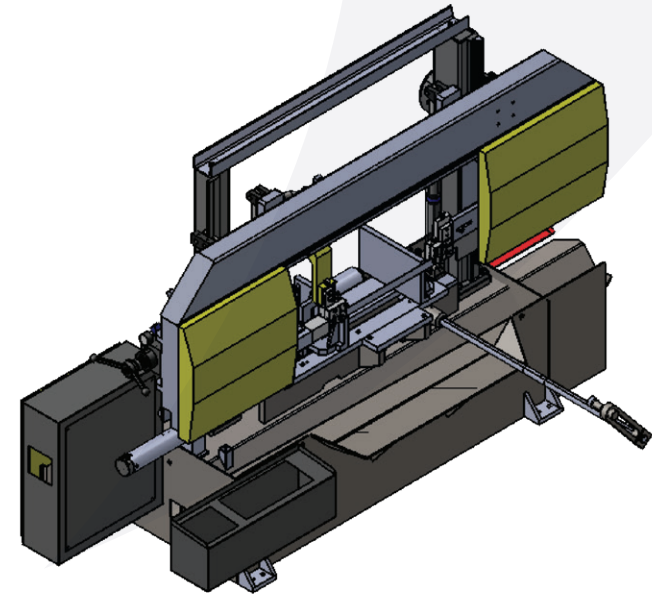
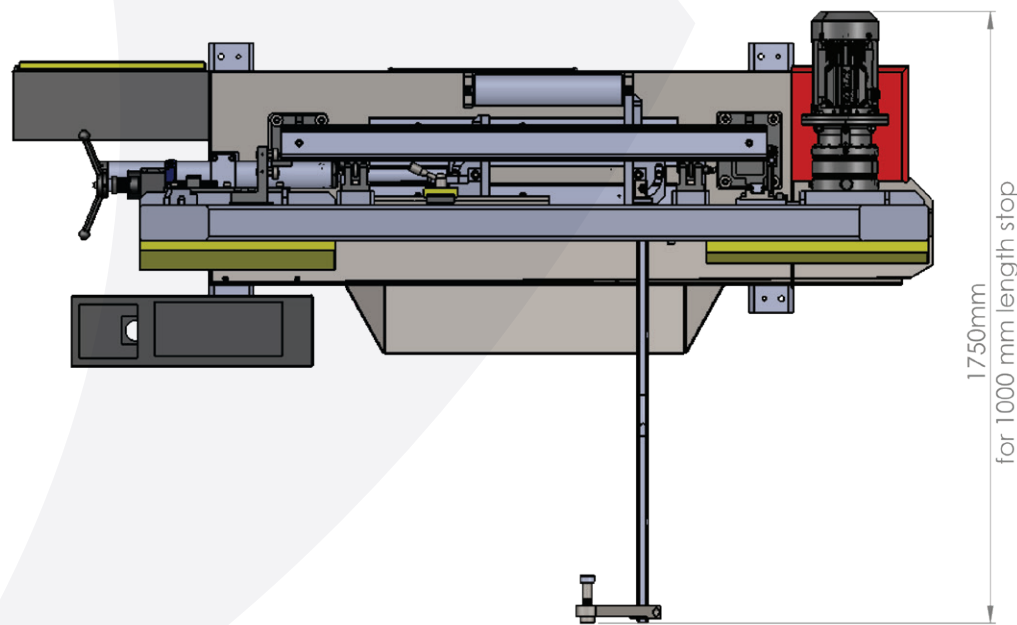
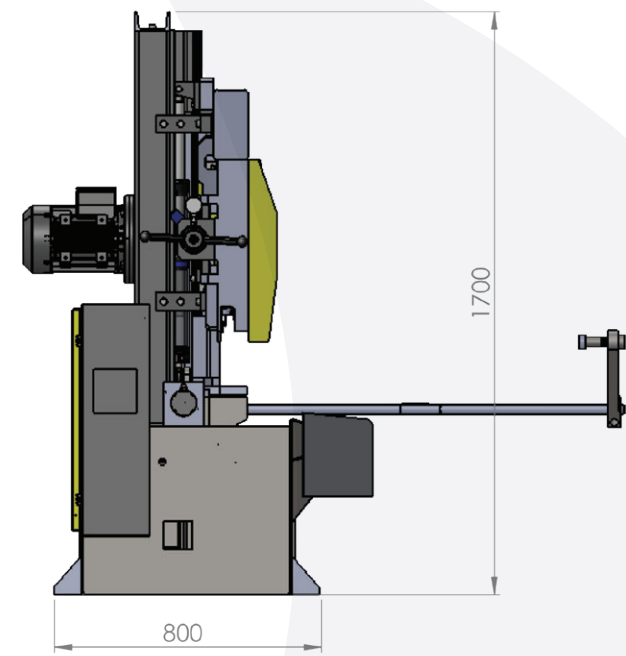
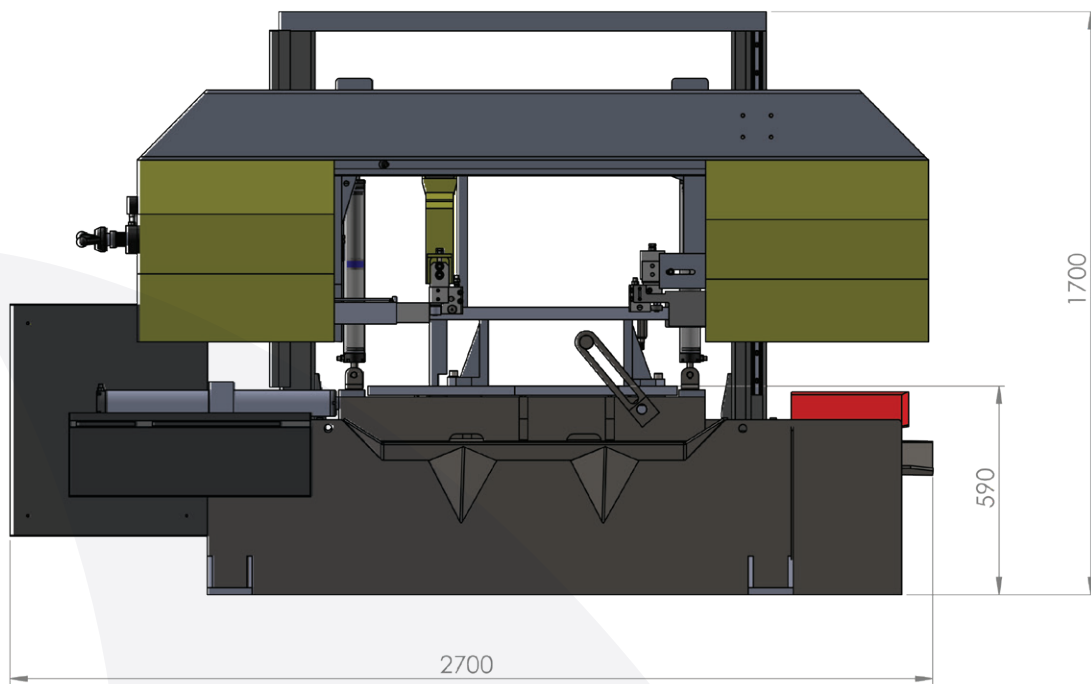


**Sterling STC330
SA Floorplan (1/1)**

STERLING

SELMACH
MACHINERY

Making Metal Work

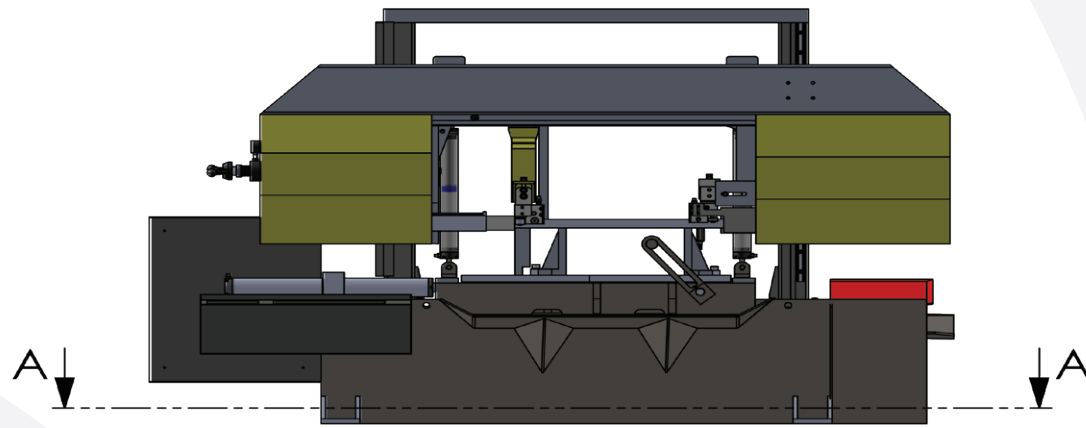


**Sterling STC360
SA Floorplan (1/2)**

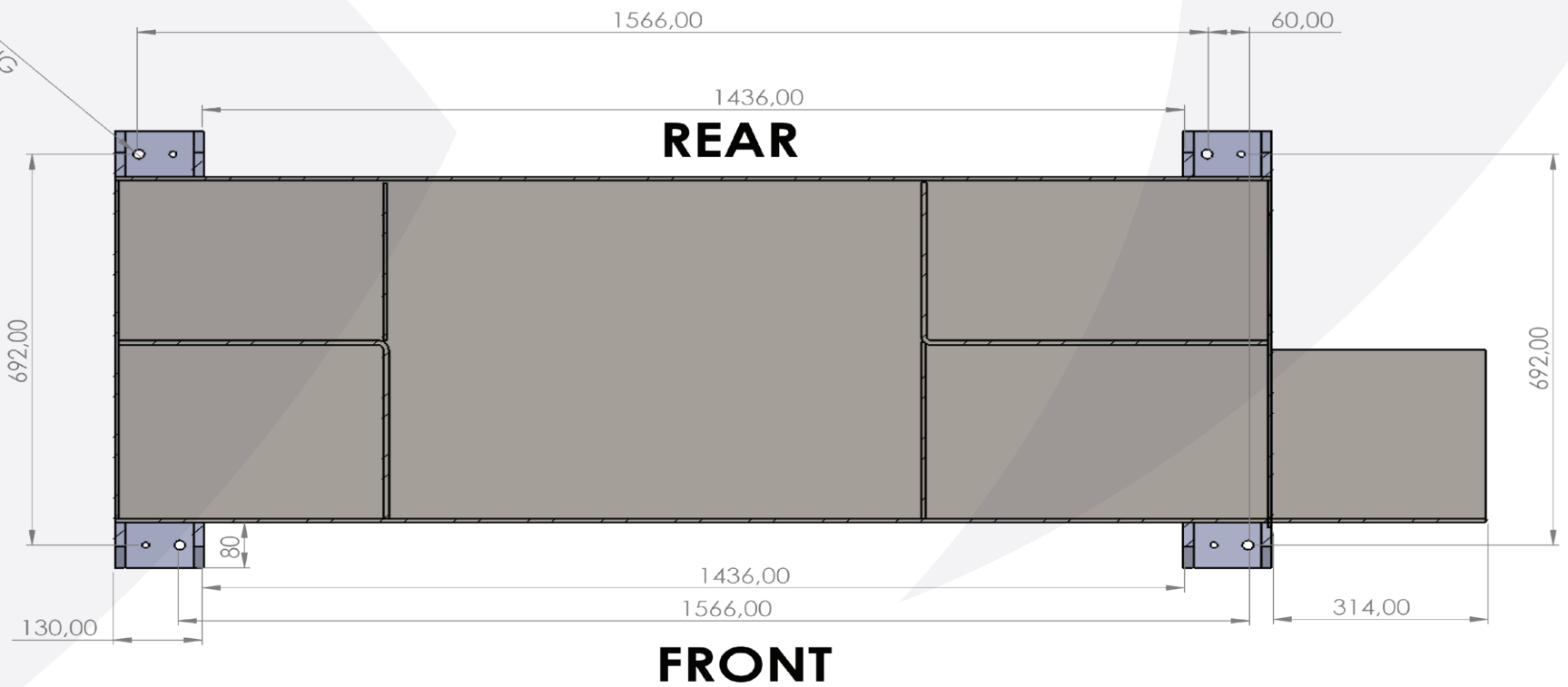
STERLING

SELMACH
MACHINERY

Making Metal Work



Ø16,00
M14 FIXING PLUG

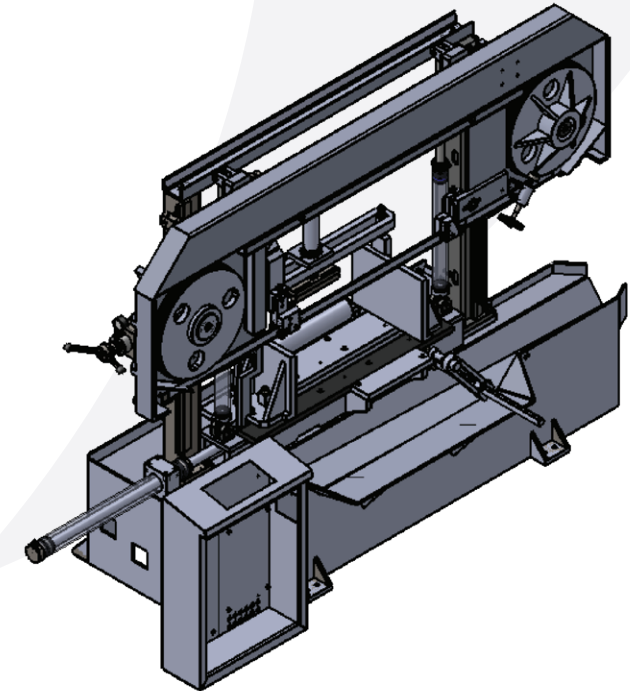
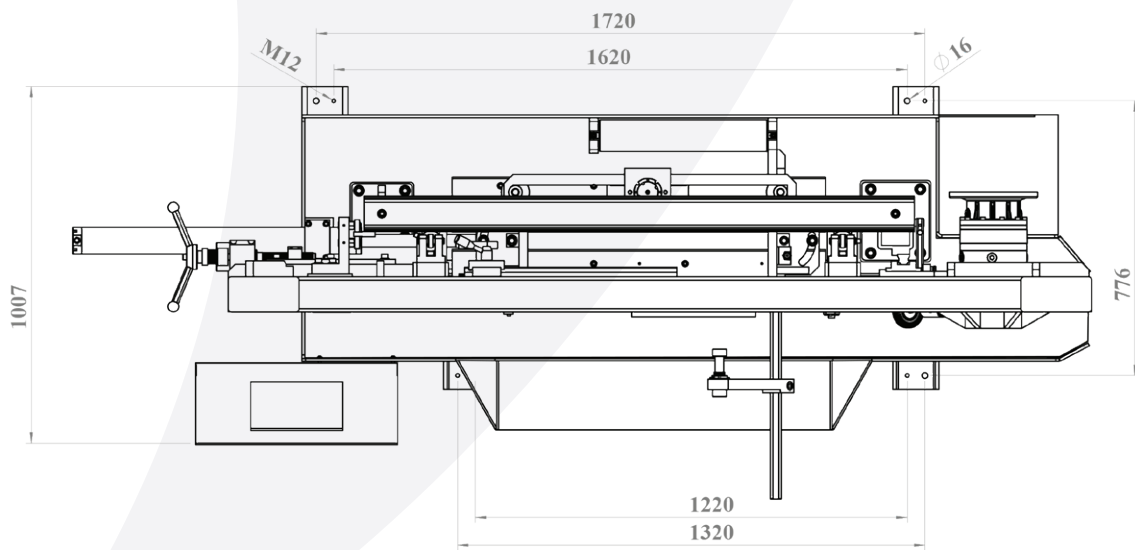
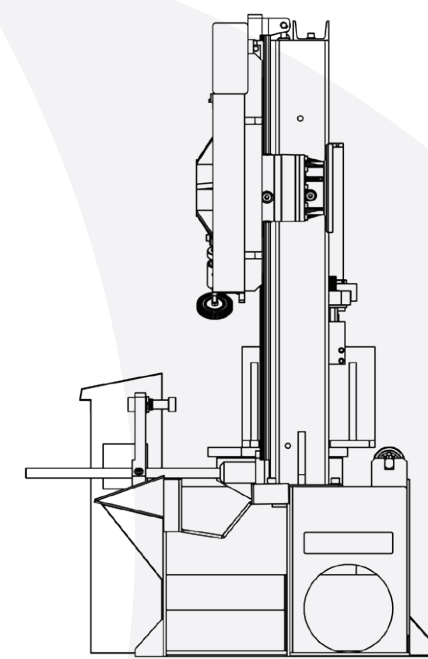
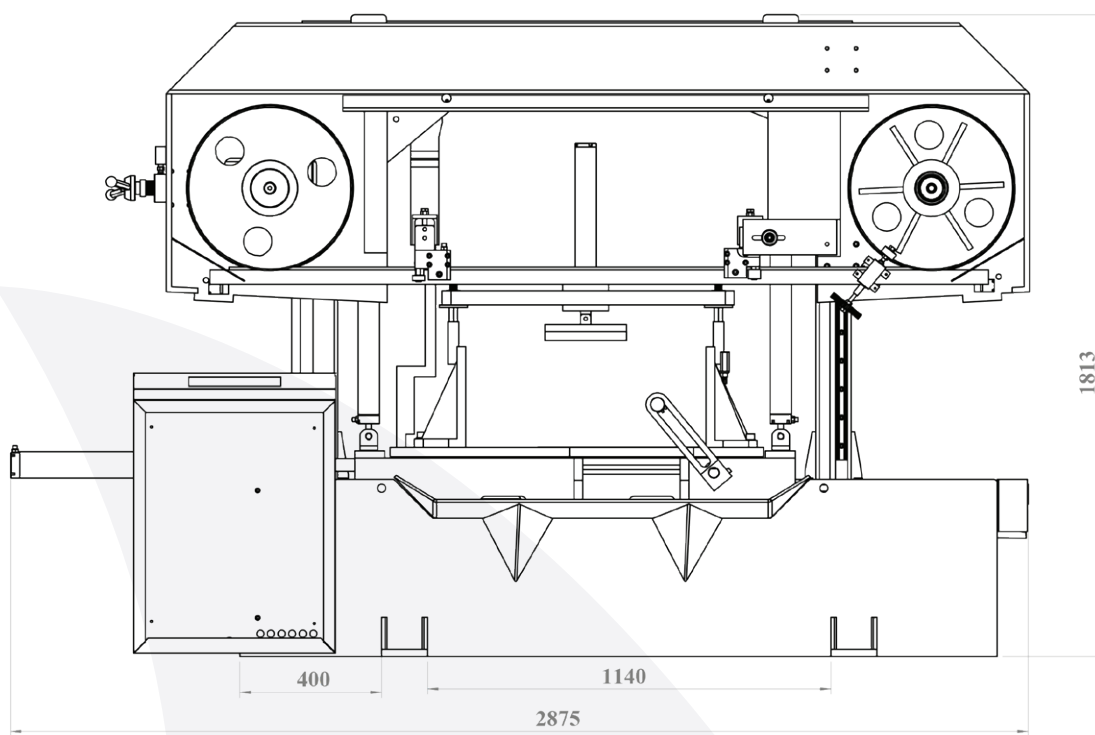


**Sterling STC360
SA Floorplan (2/2)**

STERLING

SELMACH
MACHINERY

Making Metal Work

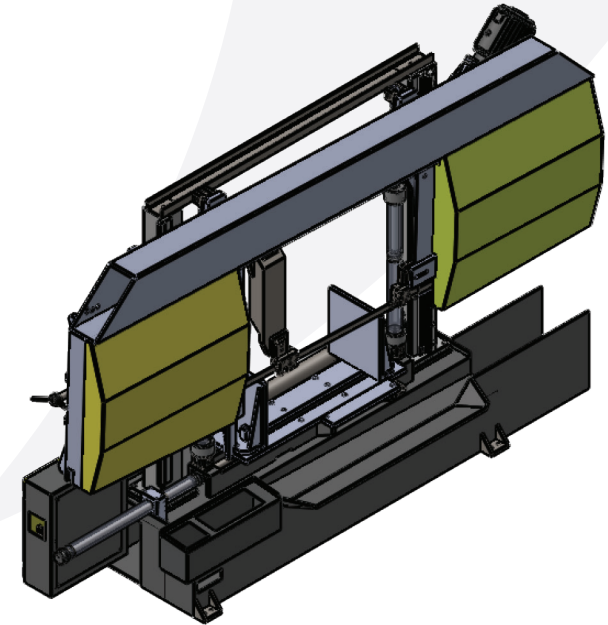
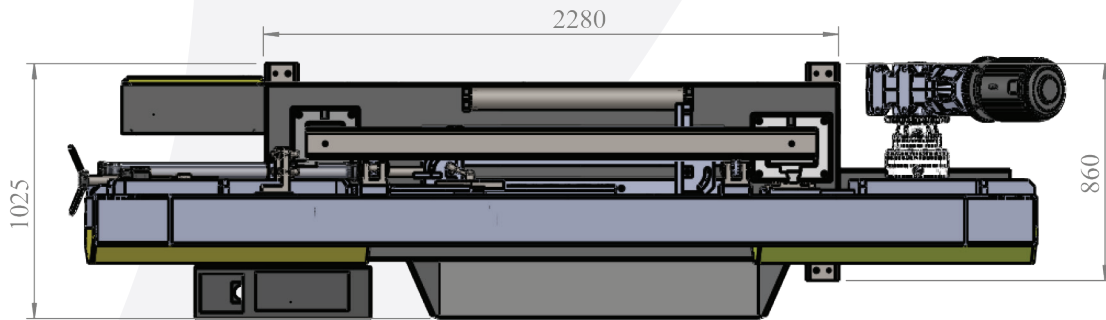
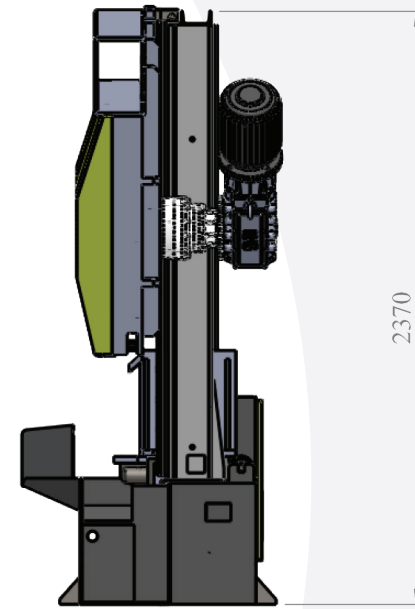
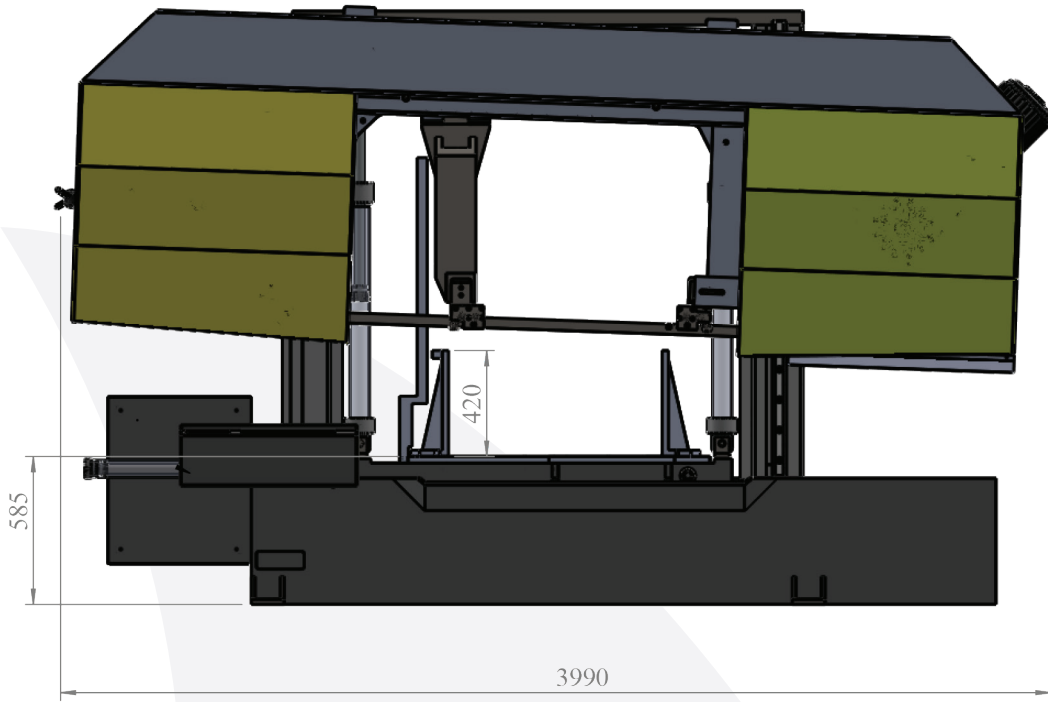


**Sterling STC460
SA Floorplan (1/1)**

STERLING

SELMACH
MACHINERY

Making Metal Work

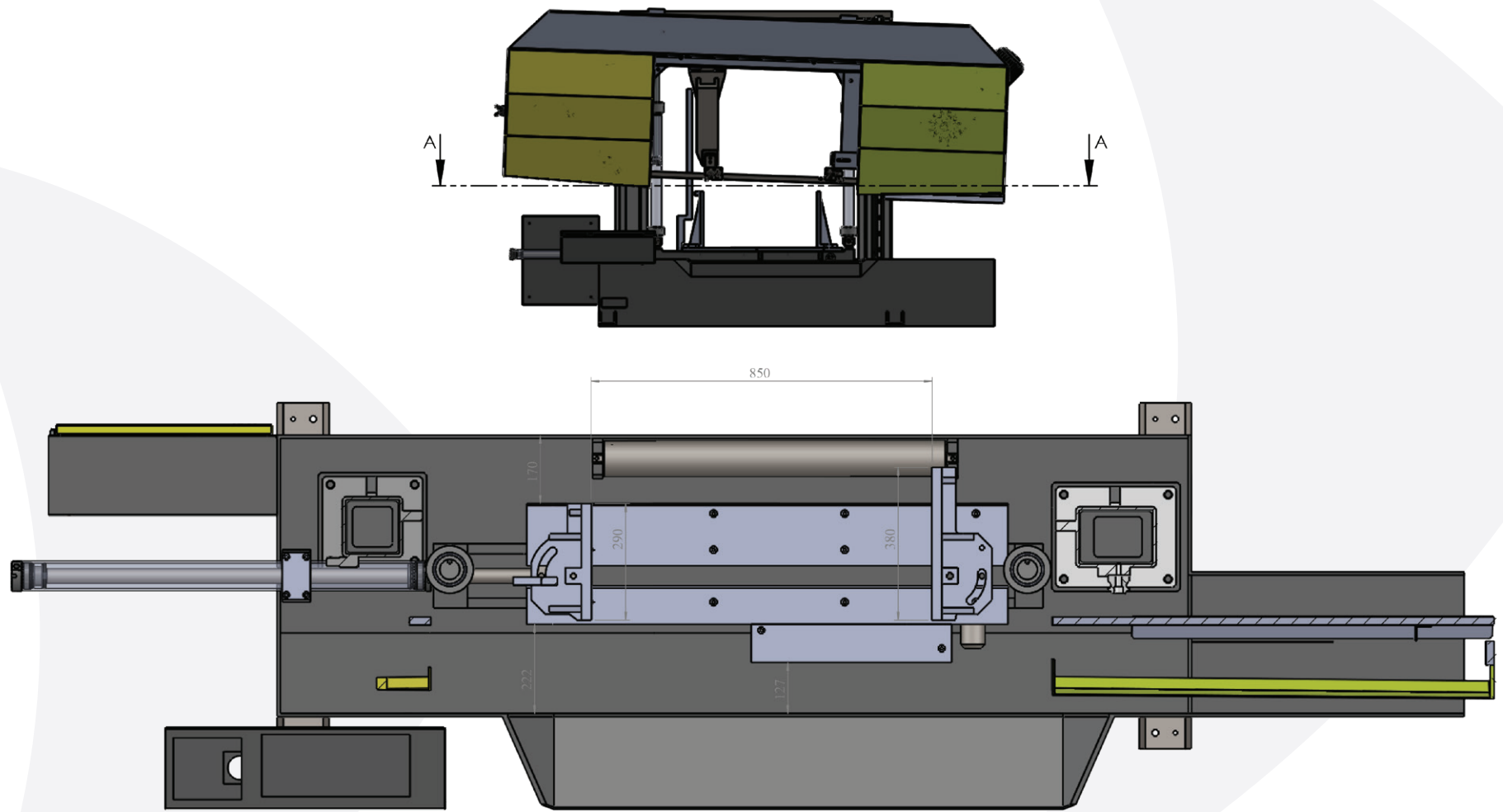


**Sterling STC810
SA Floorplan (1/2)**

STERLING

SELMACH
MACHINERY

Making Metal Work

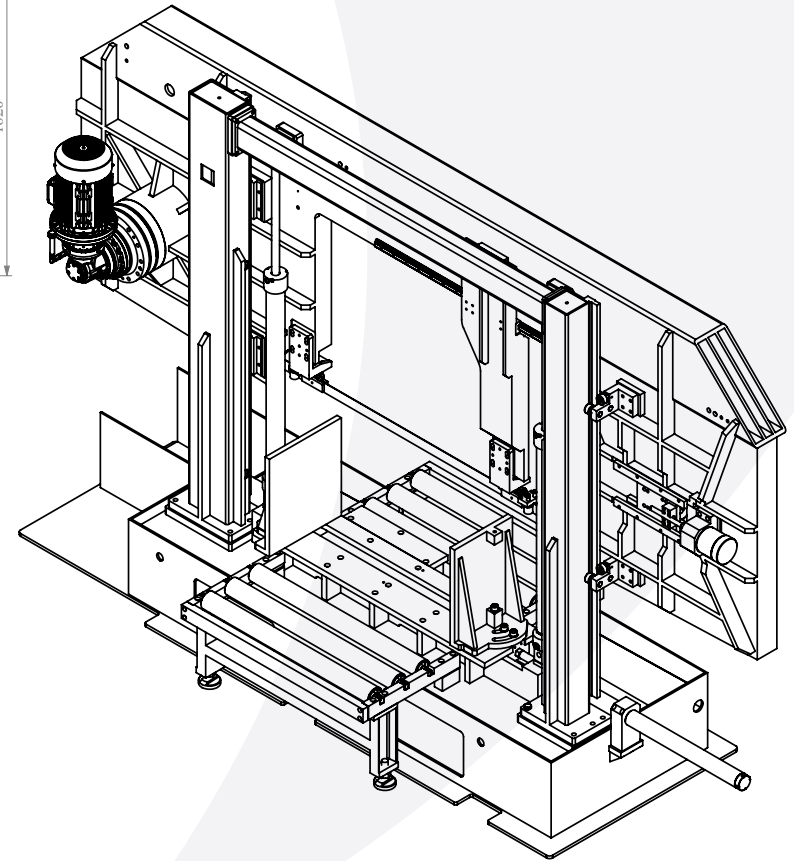
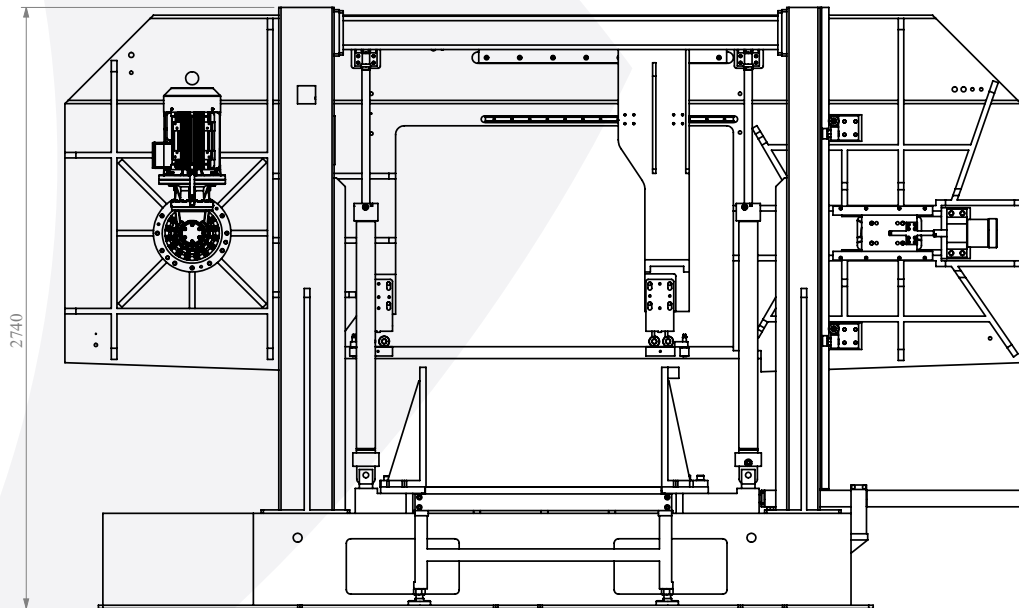
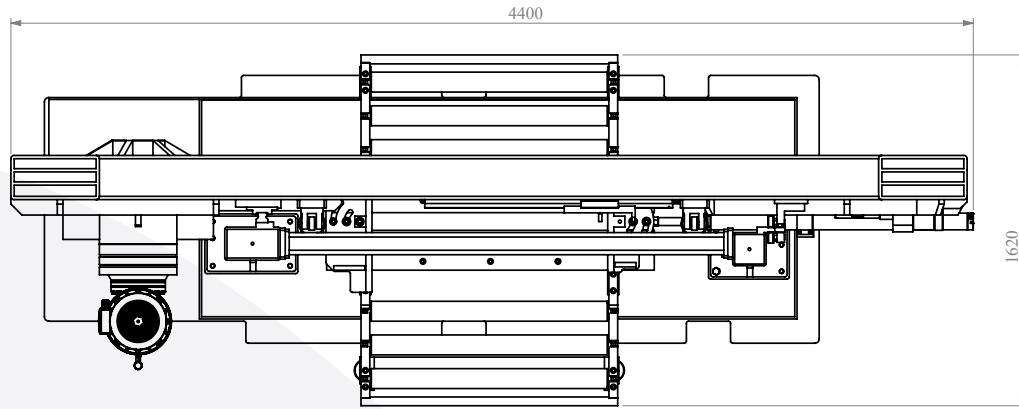


**Sterling STC810
SA Floorplan (2/2)**

STERLING

SELMACH
MACHINERY

Making Metal Work

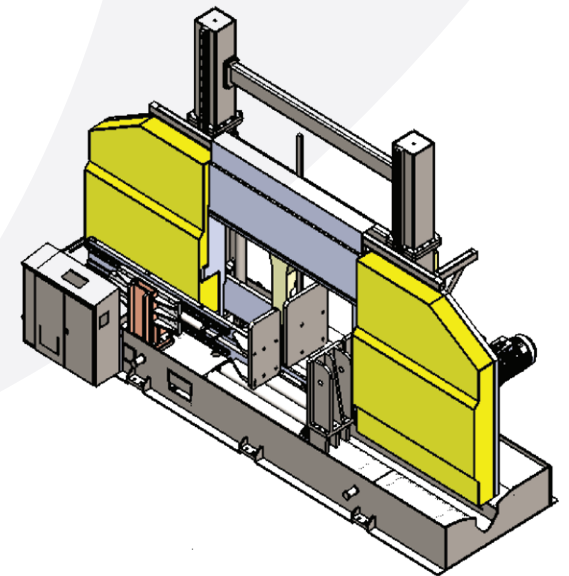
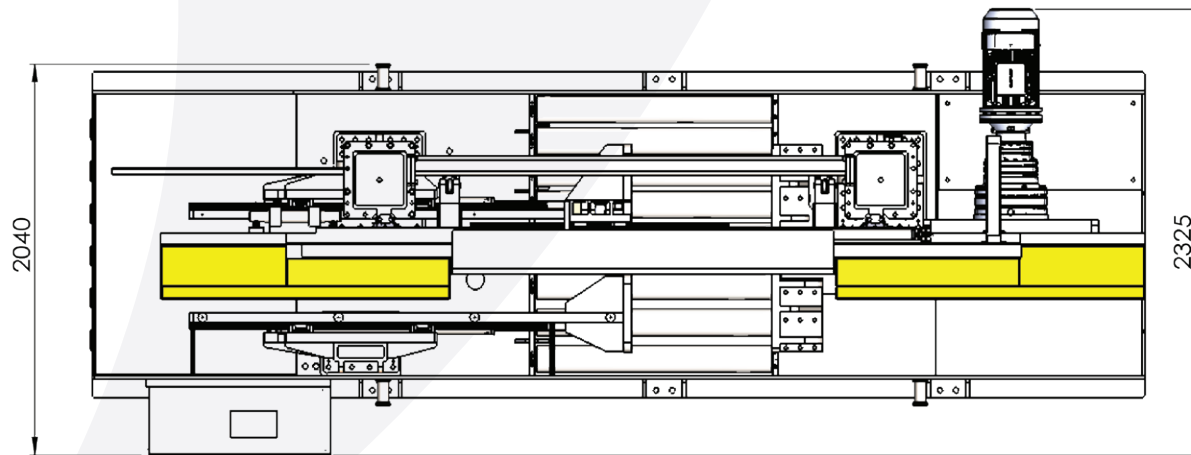
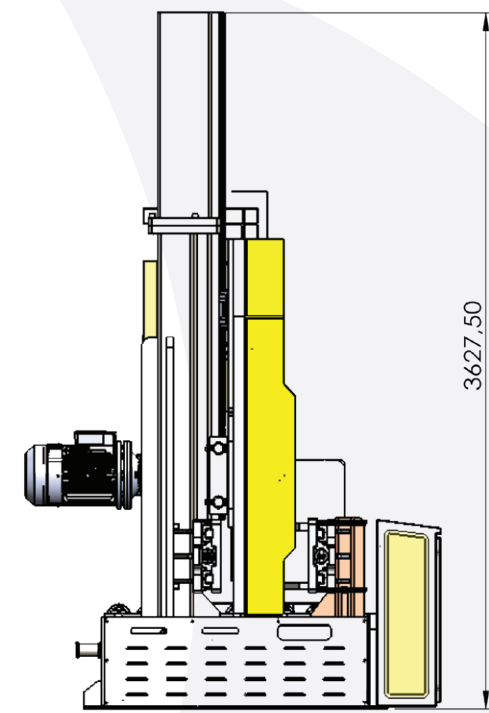
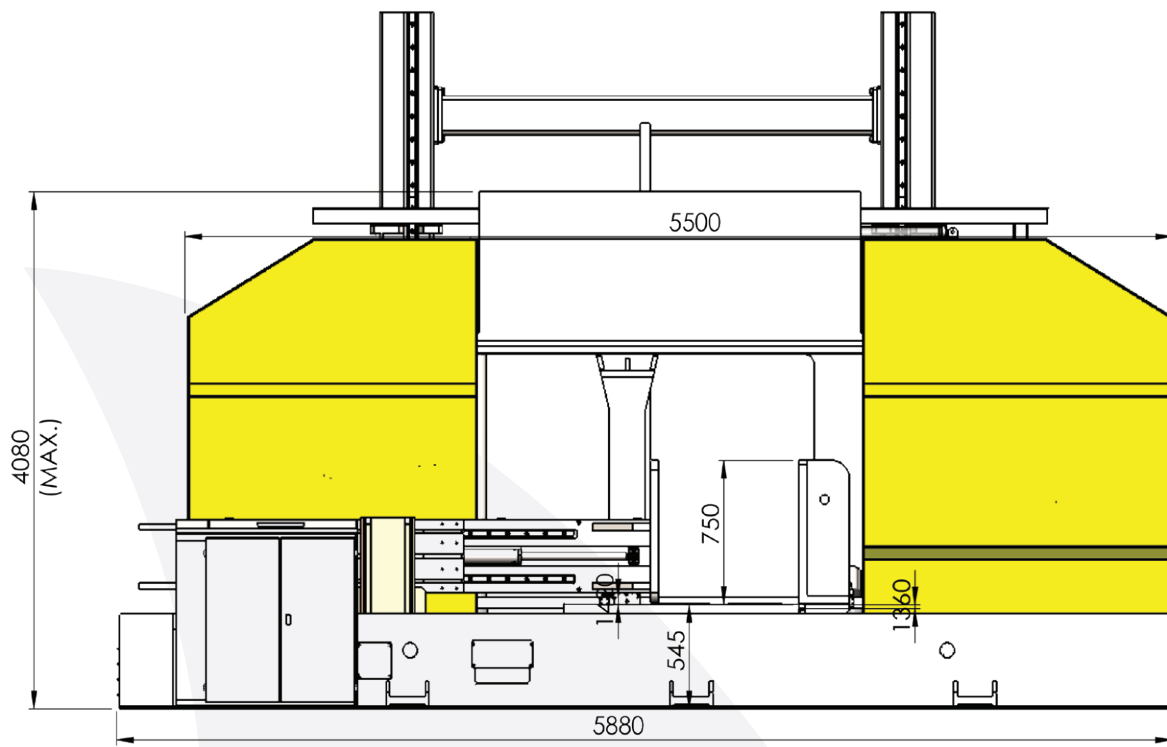


**Sterling STC1020
SA Floorplan (1/1)**

STERLING

SELMACH
MACHINERY

Making Metal Work

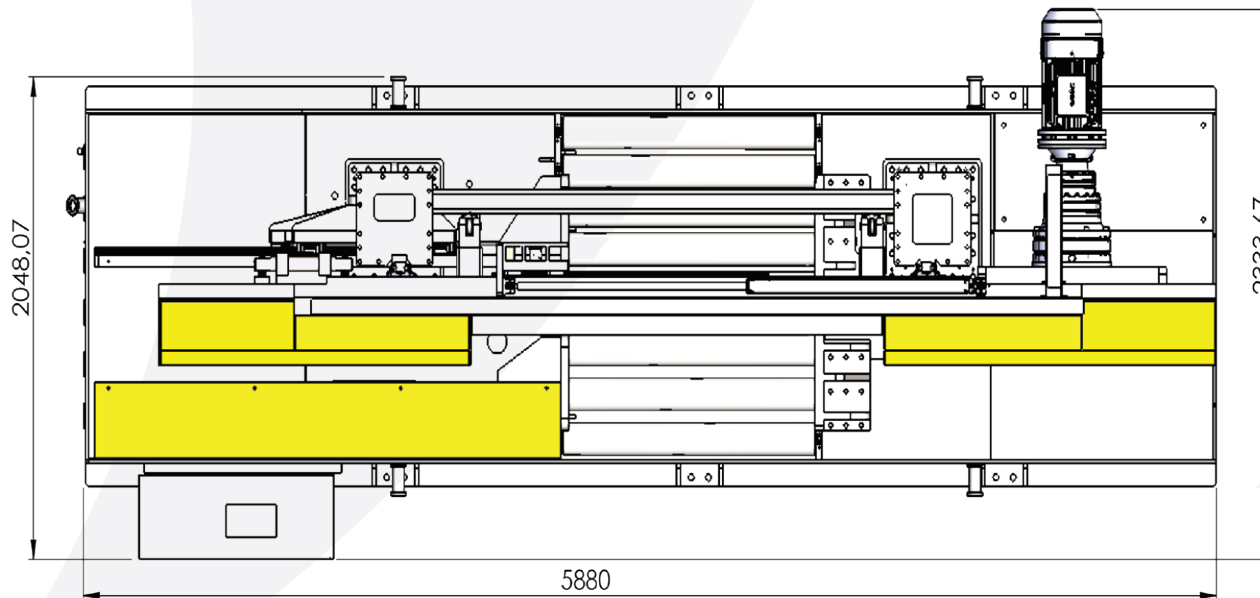
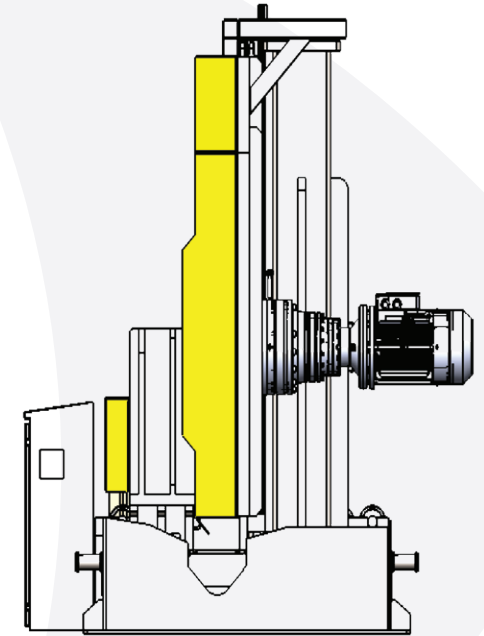
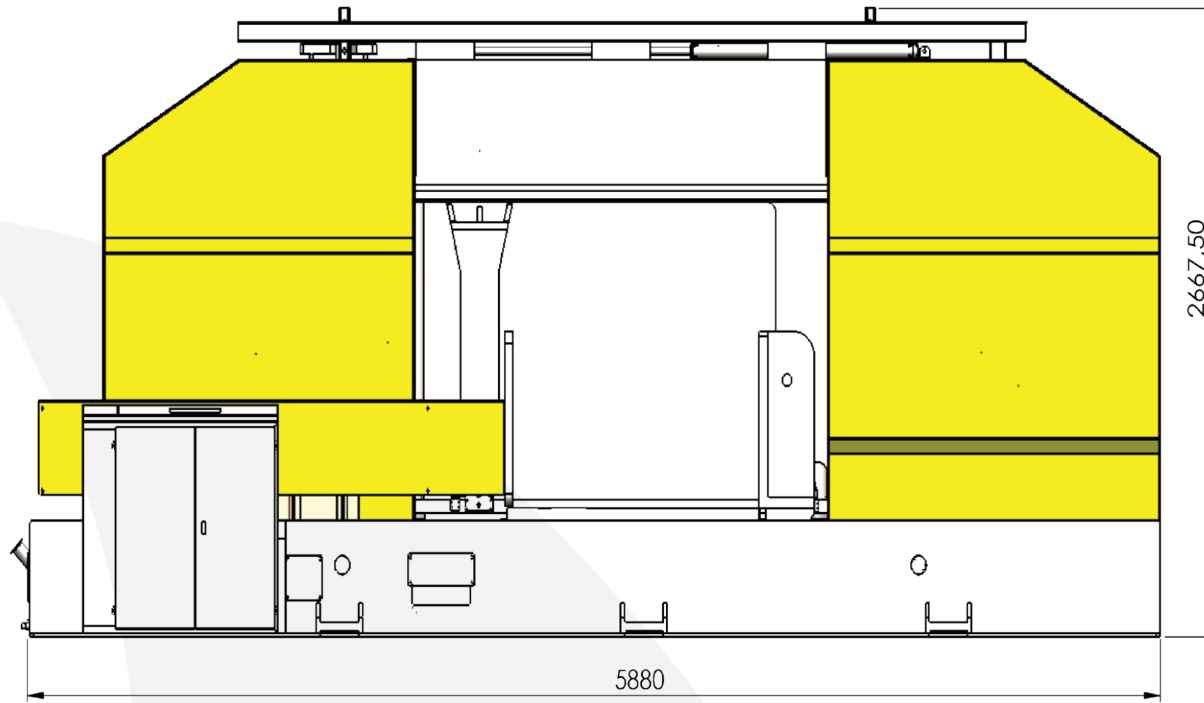


**Sterling STC1313
SA Floorplan (1/3)**

STERLING

SELMACH
MACHINERY

Making Metal Work

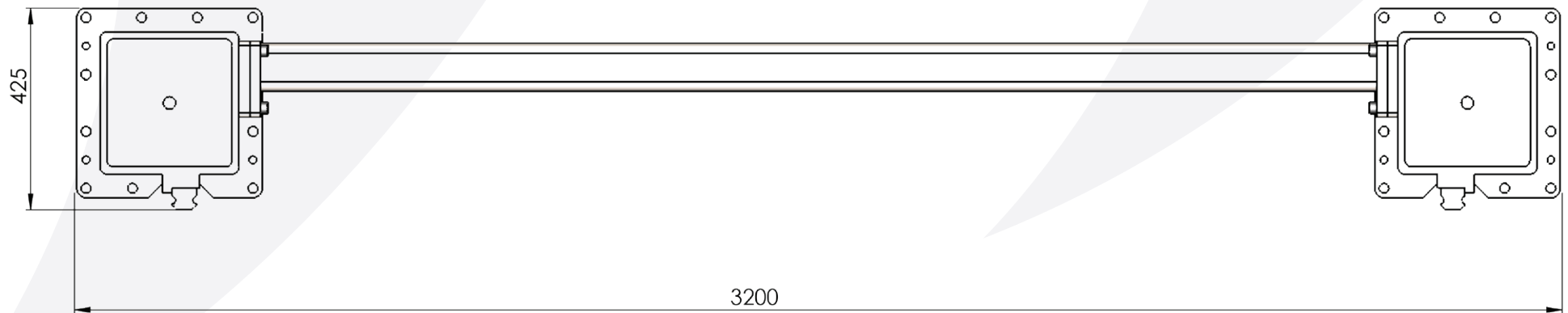
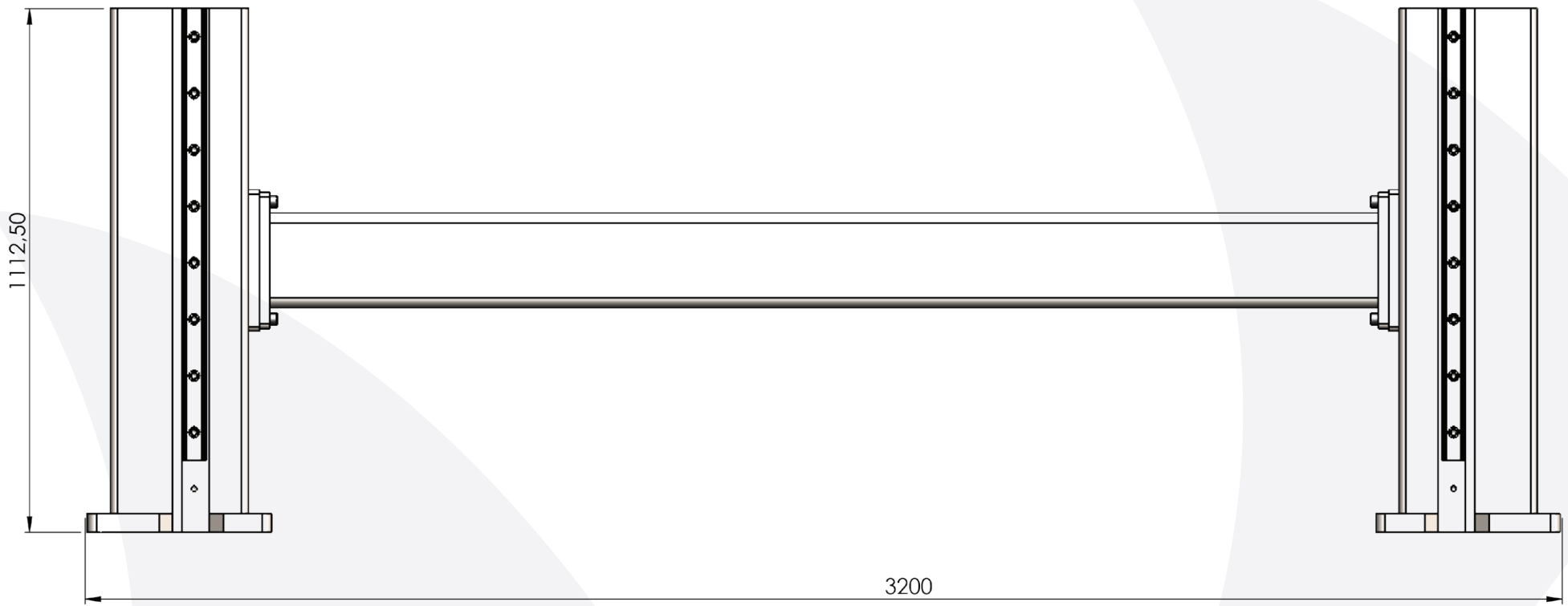


**Sterling STC1313
SA Floorplan (2/3)**

STERLING

SELMACH
MACHINERY

Making Metal Work



**Sterling STC1313
SA Floorplan (3/3)**

STERLING

SELMACH
MACHINERY

Making Metal Work