

PSR35 Section Roller Foundation / Floor Plan

FOUNDATION AND MAIN DIMENSIONS OF THE MACHINE

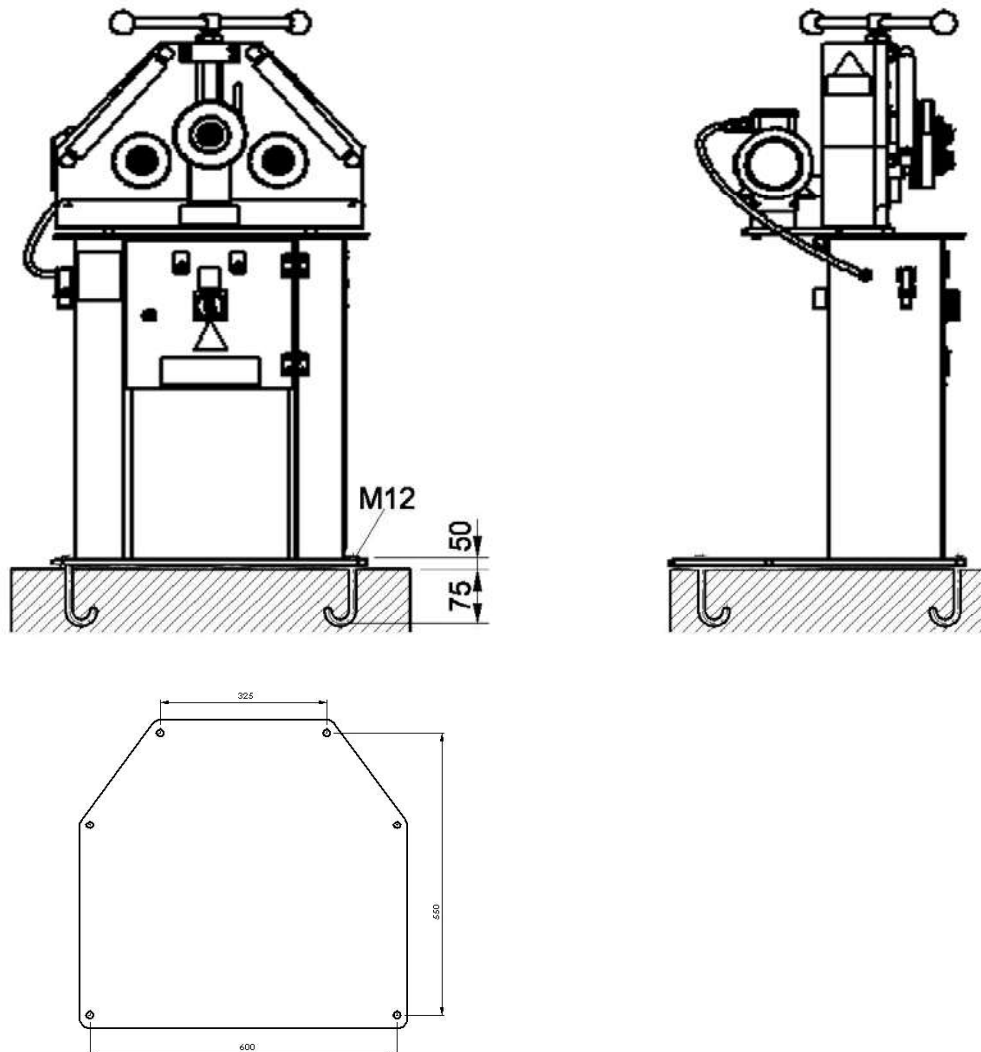


Figure 1

For a good operation, the machine needs to be bolted to the floor with anchor bolts as shown in figure 1. However, not being high operational speeds, there is no necessity to use technical devices to reduce the transmission of vibrations.



For a correct operation the machine must be placed on a flat, preferably concrete base and even floor. Also, it must perfectly be located horizontally and vertically.

Figure 1 and 2 show the main dimensions of the machine. Figure 3 shows the area into which anyone except for the operator is forbidden to enter.

PSR35 Section Roller Foundation / Floor Plan

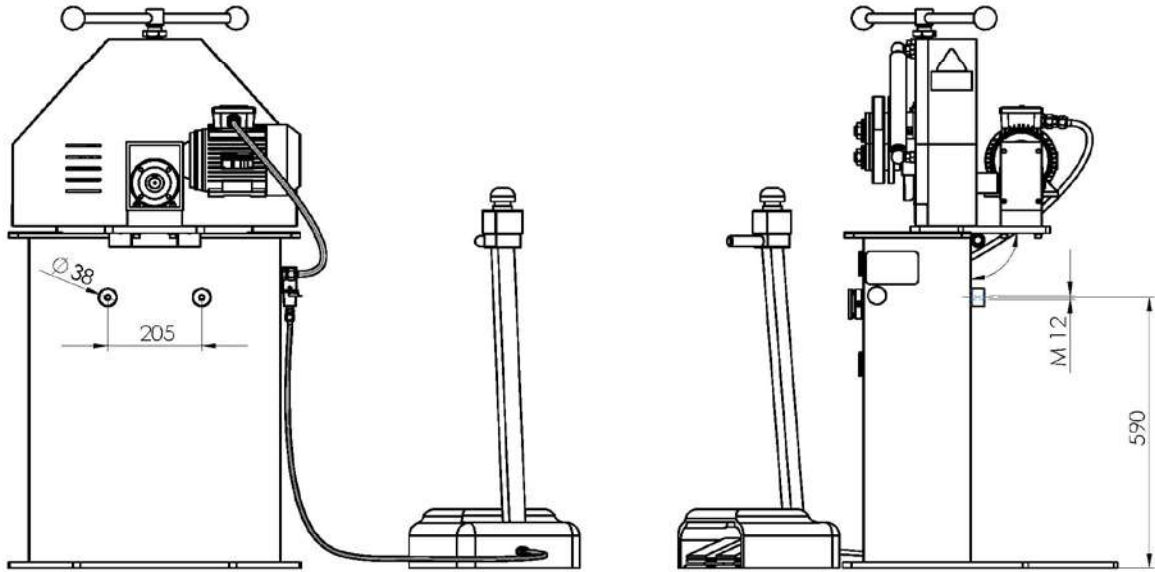



Figure 2

 **Note:** All of machines must adjust goodly and carefully to take smooth working from machine. Machine adjustment must make with water gauge. The water gauge's picture is given above.

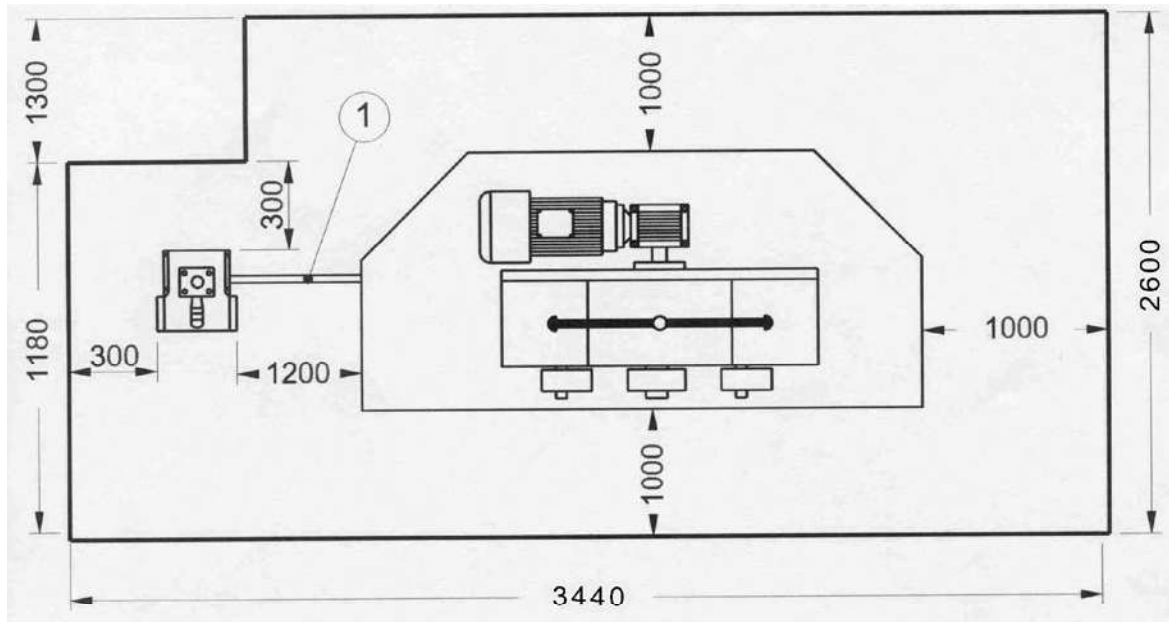



Figure 3

 **Note:** The manufacturer doesn't accept any responsibility for damages due to the non-observance of the above specifications.

